

P1: Draw the isometric **projections** of the objects whose orthographic projections are given in figures. (f1 to f4)

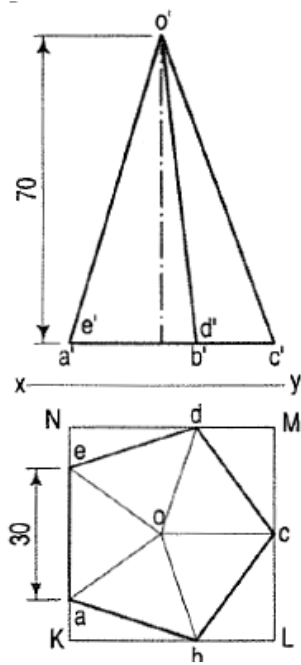


Figure f1

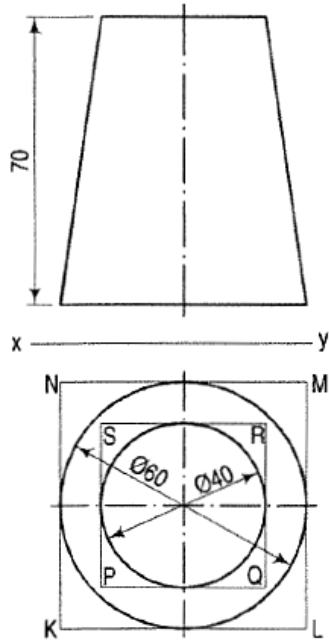


Figure f2

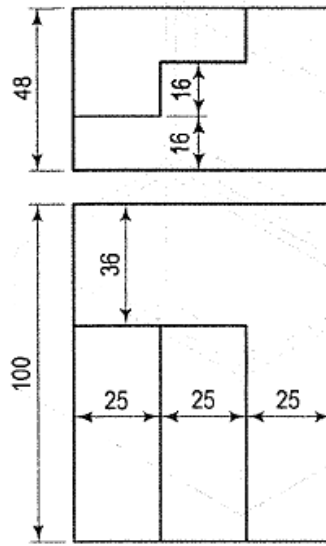


Figure f3

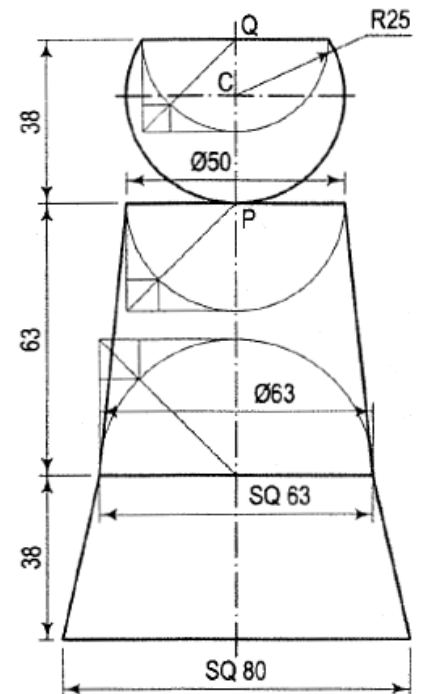


Figure f4

P3: Draw the isometric **view** of the objects whose orthographic projections are given in figures. (f5 to f8)

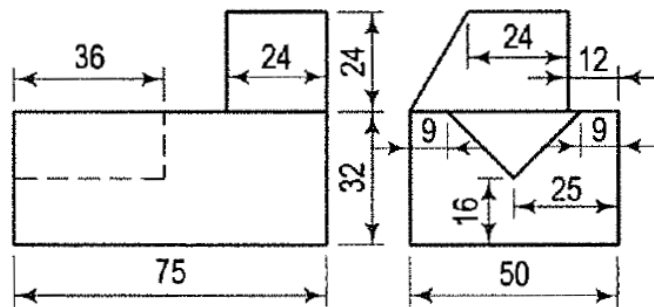


Figure f5

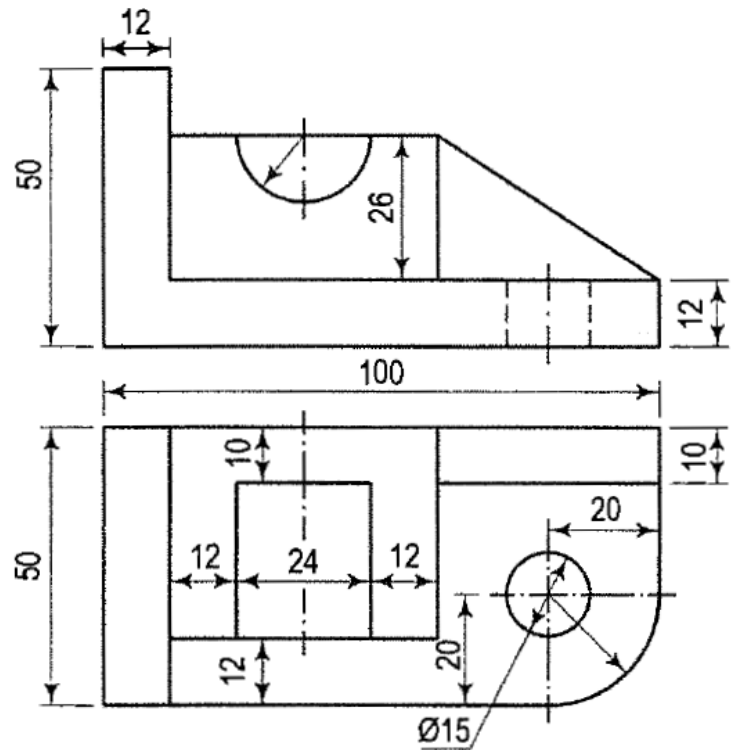


Figure f6