

IET DAVV
 Mechanical Engineering Department
 Practical Assignment PROBLEMS on ORTHOGRAPHIC PROJECTIONS

Q.1. Draw the Front View, Top View and Side View of the objects shown in the following figures using 1st angle projection method (1 to 4). (Arrow shows the direction for front view)

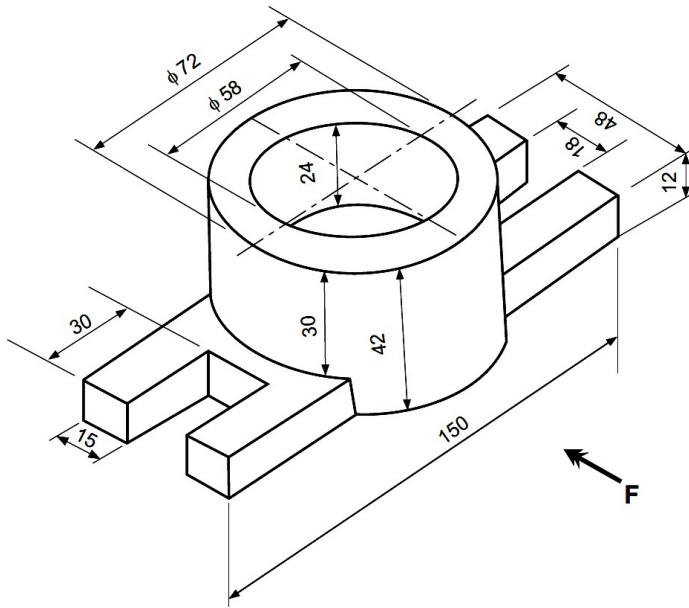


Figure 1

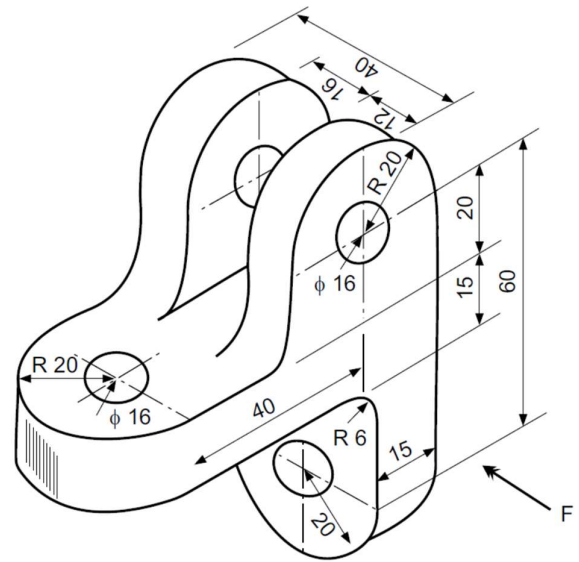


Figure 2

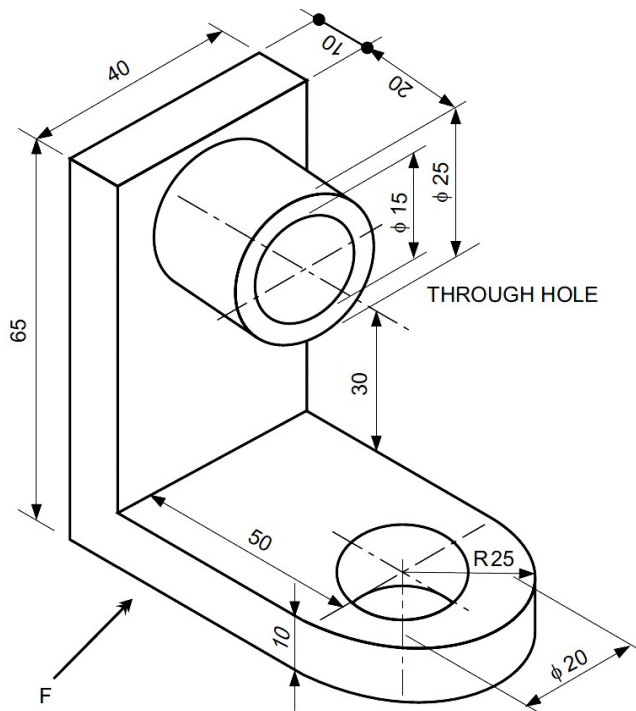


Figure 3

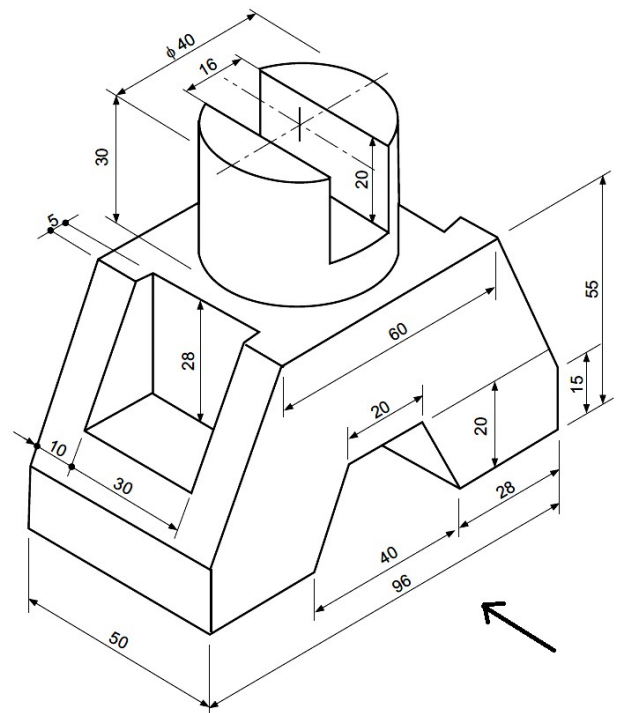


Figure 4